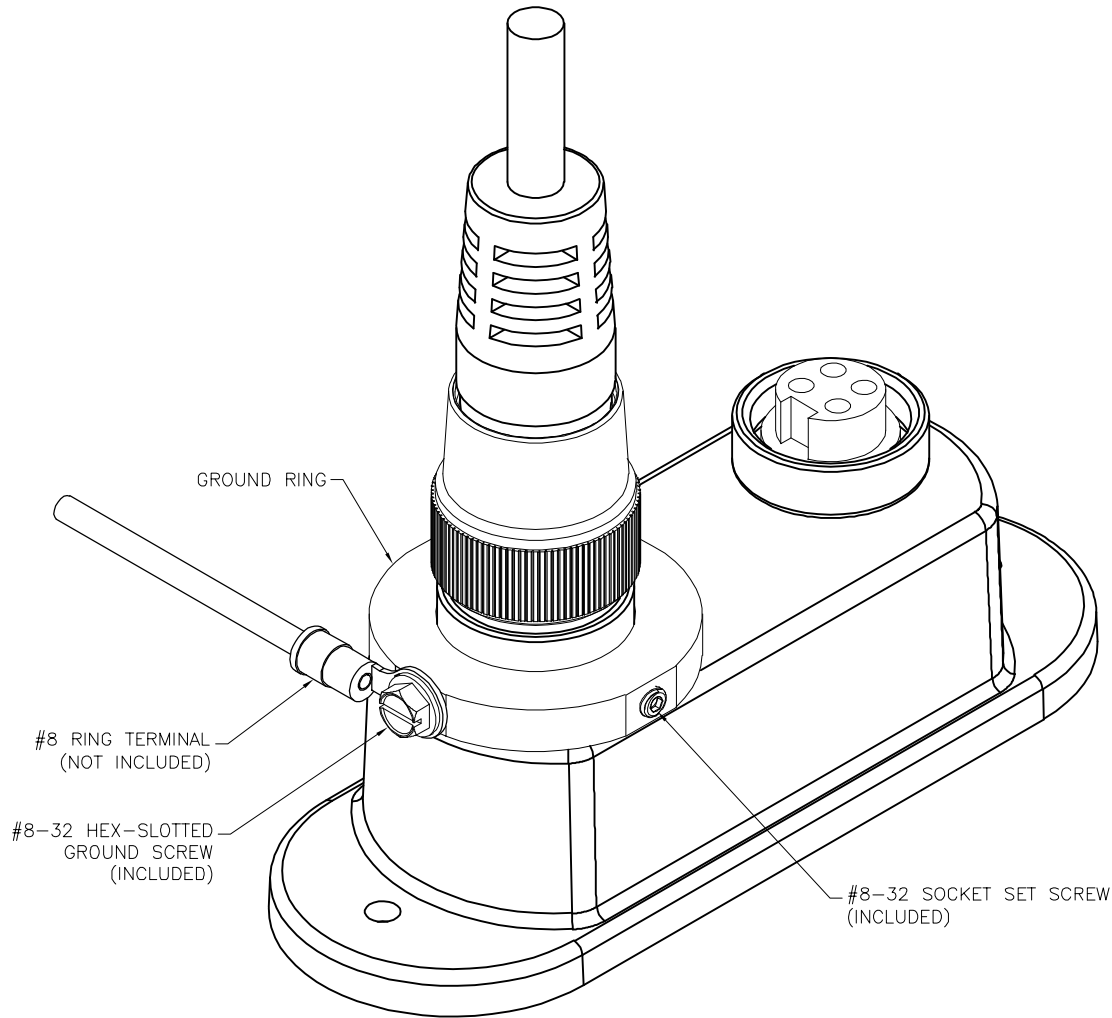


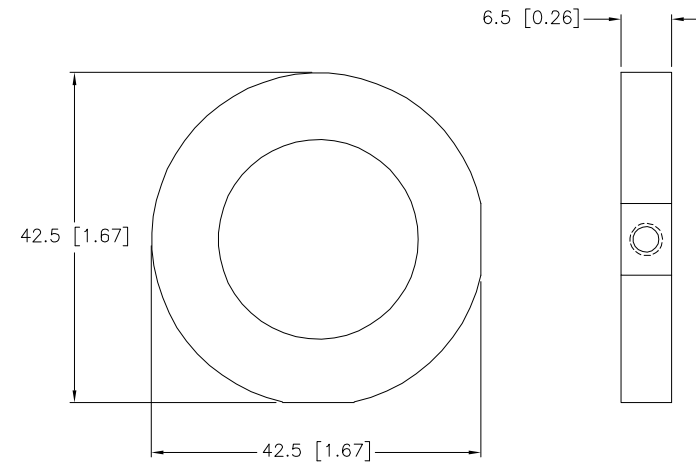
SPECIFICATIONS

RING MATERIAL/PLATING	BRASS/NICKEL
GROUND SCREW MATERIAL/FINISH	STAINLESS STEEL/ZINC GREEN
SET SCREW MATERIAL/PLATING	STAINLESS STEEL/PLAIN



GROUND RING INSTALLATION NOTES:

- PLACE GROUND RING OVER FEMALE CONNECTOR.
- TIGHTEN SET SCREW TO LOCK RING INTO PLACE.
- INSTALL GROUND WIRE, WITH #8 RING TERMINAL.
- TIGHTEN GROUND SCREW WITH FLATHEAD SCREWDRIVER.
- INSTALL MATING CONNECTOR.



SOURCE DRAWING - FOR REFERENCE ONLY

NOTES:

1. FOR USE WITH #8 SIZE RING TERMINALS.
2. GROUND KIT FITS FEMALE MINIFAST CONDUIT ADAPTERS.
3. MINIFAST LOCKOUTS, A9105 AND A9155, MAY BE USED WITH GROUND KIT.

RELATED DOCUMENTS		3RD ANGLE PROJECTION		THIS DRAWING IS CONFIDENTIAL AND THE PROPERTY OF TURCK INC. USE OF THIS DOCUMENT WITHOUT WRITTEN PERMISSION IS PROHIBITED.		3000 CAMPUS DRIVE MINNEAPOLIS, MN 55441 1-800-544-7769 (763) 553-7300 (763) 553-0708 fax www.turck.us	
1. 2. 3. 4.				DRFT TH DATE 06/09/06 APVD SCALE 1=1.0		DESCRIPTION CA GROUND RING - MINI FEMALE	
MATERIAL SEE SPECIFICATIONS		ALL DIMENSIONS DISPLAYED ON THIS DRAWING ARE FOR REFERENCE ONLY		UNIT OF MEASUREMENT <b>MILLIMETER [ INCH ]</b>		IDENTIFICATION NO. A9275	
FINISH SEE SPECIFICATIONS		CONTACT TURCK FOR MORE INFORMATION		DO NOT SCALE THIS DRAWING		REV A	
A	DRAWING RELEASE	TH	06/14/06				
REV	DESCRIPTION	BY	DATE	ECO NO.	FILE: A9275	SHEET 1 OF 1	